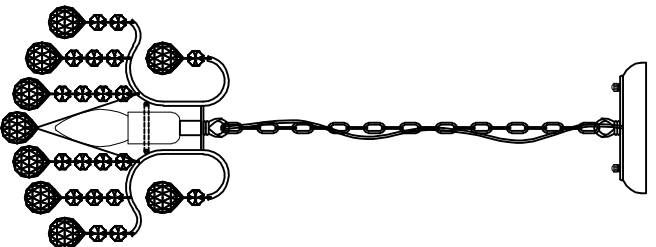


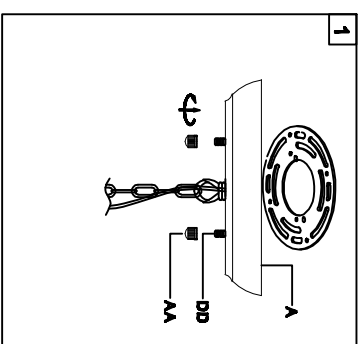
Trade Mark:
CRYSTAL WORLD INC

Product Name: Pendant lamp
Model :8015P9C-R
120Vac, 60Hz,AC ONLY
Lamp Size:Ø9"X48"H



PENDANT LAMP ASSEMBLY INSTRUCTIONS

1.Place fixture(A)onto mounting screws (DD),secure with cap nuts (AA).

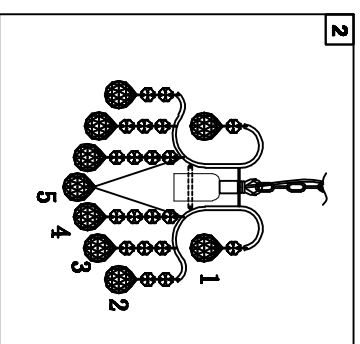
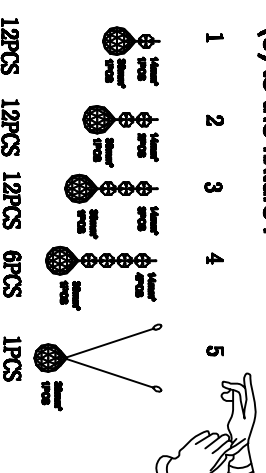


Hardware Used

AA Cap nut A X 2

DD Mounting screw X 2

2.Please hang the crystal(1) (2) (3) (4) (5) to the fixture .



3.Install light bulbs (not included).

Use bulb
120V E26 **1*60W Max.**

