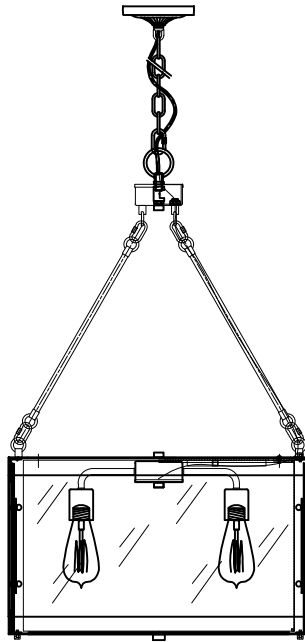


Trade Mark:
CRYSTAL WORLD INC

Product Name: Pendant lamp
Model :9855P20-5-133
120Vac, 60Hz,AC ONLY
Lamp Size:D20"*H33"



PENDANT LAMP ASSEMBLY INSTRUCTIONS

- 1.Please fix (A) with (B).
- 2.Please fix (C) with (D).
- 2.Please fix (E) with (D).
- 3.Install bulbs (NOT INCLUDED).USE **120V E26**  **5*40W Max.**

