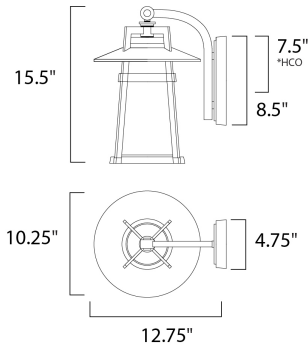




PRODUCT DESCRIPTION

Classic, contemporary style of Die Cast aluminum finished in Adobe features an integral hood and Satin White conical shade, which help cast light in a downward direction. Illumination provided by long life and energy efficient LED.



*height of fixture from top of fixture to center of the outlet

MEASUREMENTS

DIMENSION : 10.25" W x 15.5" H x 12.75" Ext
 BACK PLATE : 4.75" W x 8.5" H x 7.5" HCO
 HANGING WEIGHT : 5.58 lb

LAMPING

INPUT VOLTAGE : 120V
 LUMENS : 720 Rated (0 Del.)
 BULB : 1 x 8W (INTEGRATED), 8W Total
 DIMMABLE : Dimmable
 CRI : 80+ CRI
 COLOR_TEMP : 3000K

FINISHES OPTION

Adobe AE



GLASS

Satin White SW

MATERIAL

Die Cast Aluminum + Glass

RATINGS

cETLus Wet Location
 Dimmable



ADDITIONAL

INSTALL UP/DOWN:
 RATED LIFE 40000 Hours
 OPERATING TEMPERATURE:
 -20°C (-4°F), 40°C (104°F)

PHOTOMETRIC: Report Found Online

Always consult a qualified electrician before installing any lighting product.



WESTERN DISTRIBUTION CENTER (HEADQUARTER)
 253 NORTH VINELAND AVE | CITY OF INDUSTRY, CA 91746
EASTERN DISTRIBUTION CENTER
 4200 SHIRLEY DR. | ATLANTA, GA 30336
 P. 626.956.4200 | F. 626.956.4225 | maximlighting.com