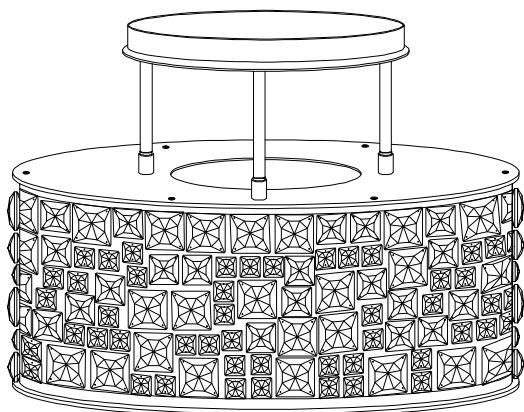


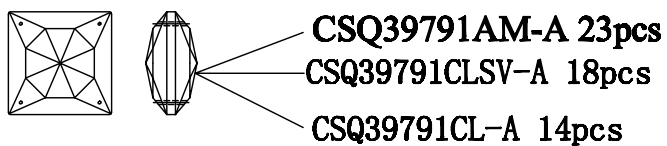


PRODUCT NAME: Fifth Avenue, 6lt flushmount  
ITEM NUMBER: 39791JCLB

Please consult your electrician for hanging fixture and wiring.



1.65"W\*1.65"W\*0.83"H

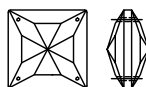


CSQ39791AM-A 23pcs

CSQ39791CLSV-A 18pcs

CSQ39791CL-A 14pcs

1.26"W\*1.26"W\*0.67"H



CSQ39791AM-B 28 pcs

CSQ39791CLSV-B 26PCS

CSQ39791CL-B 25PCS

0.87"W\*0.87"W\*0.24"H



CSQ39791AM-C 56PCS

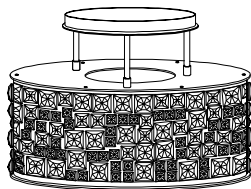
CSQ39791CLSV-C 59PCS

CSQ39791CL-C 70PCS

**WARNING:** Xenon bulbs get very hot and may burn you. Always make sure bulbs are off for a minimum of 10 minutes before handling. Fixture may be dimmed using an electronic low voltage dimmer.

Bulb(included): 6\*40W G9 Bulbs

**IMPORTANT: Turn off the power at the main fuse or circuit breaker box before starting installation**

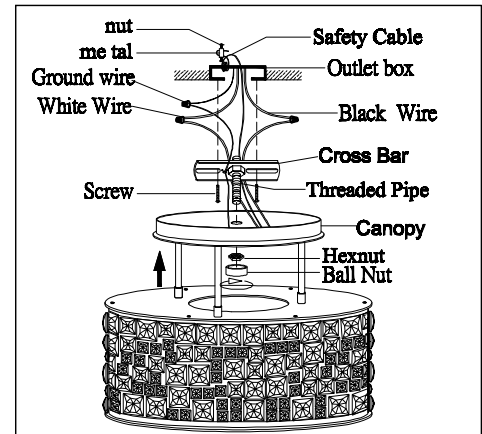
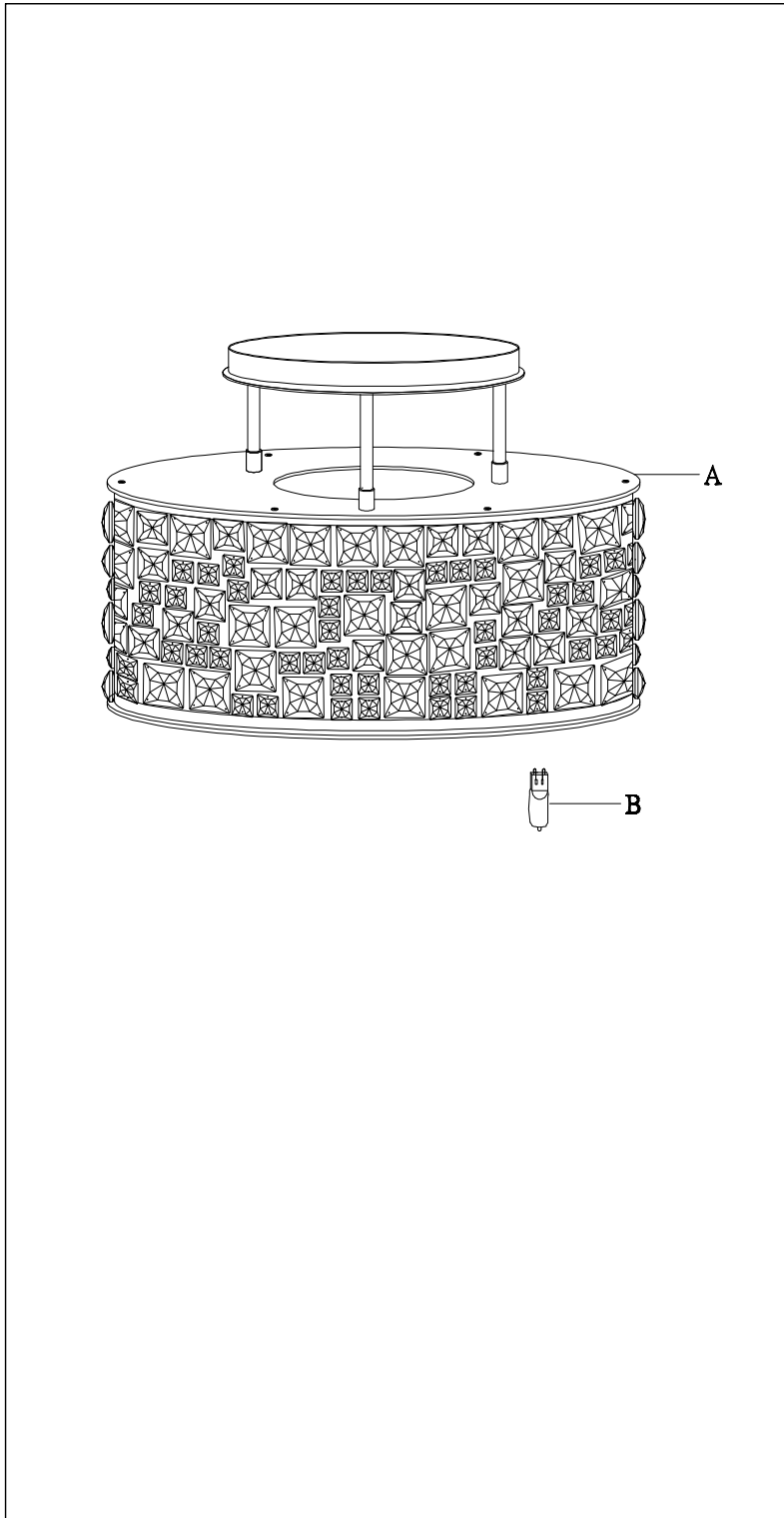


A



B

**Locate all hardware & components before discarding packaging**

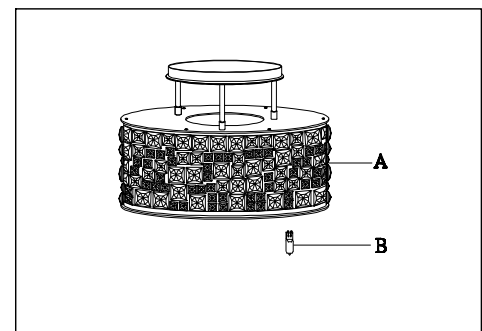


1.)

**Step.1:**

1. Remove mounting bracket from fixture and install to electrical box. Wire fixture to wires in outlet box. Copper wire is for Ground.

2.)



**Step.2: 1. Install 6 G9 bulbs**

2. Install fixture (A) to bracket and tighten screws at the ends of the canopy to secure.

**Cleaning & Care:**

Clean with soft cloth and a mild detergent. Do not use abrasive cleaner.