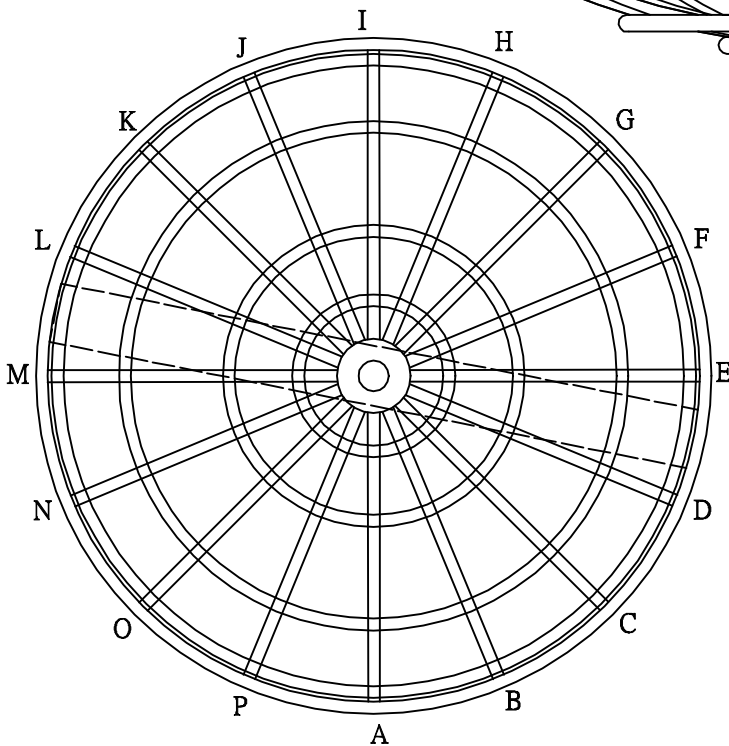
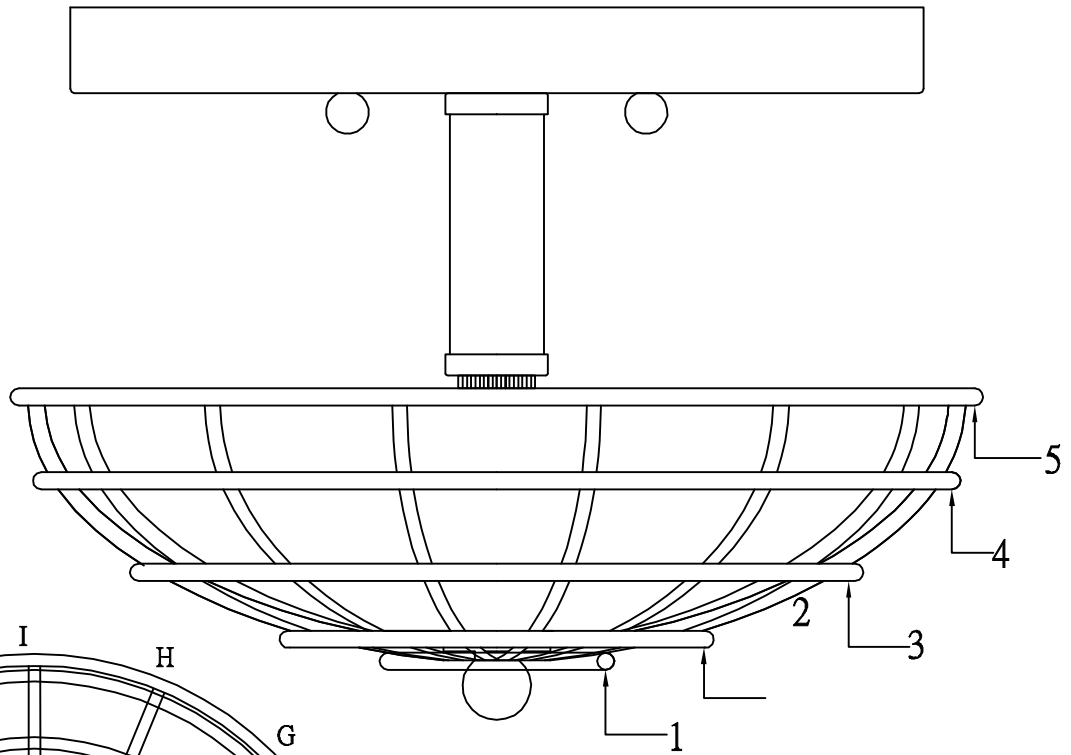
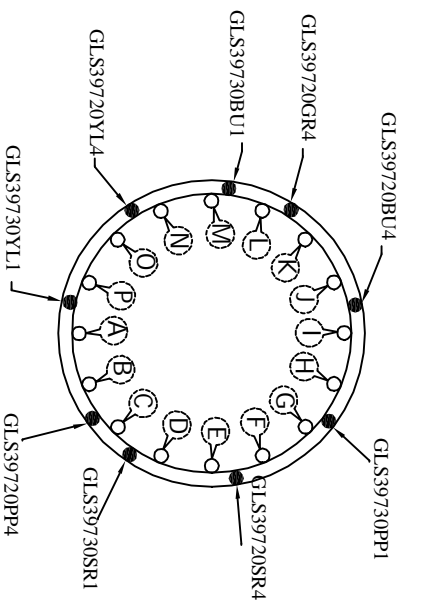
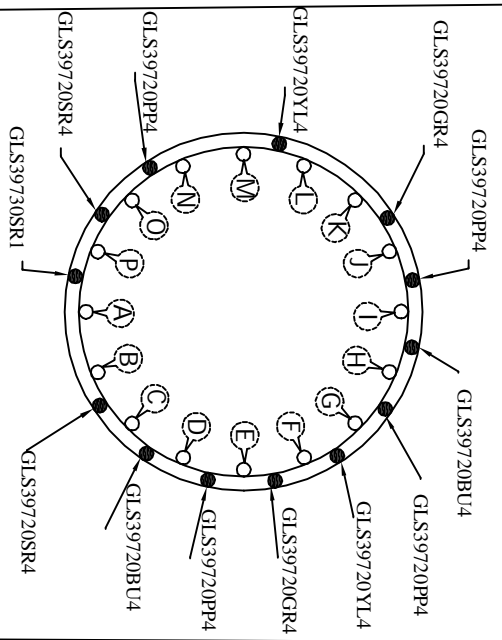


1. Lay out glass by row beginning with bottom row 1. Glass is attached to cage by simply inserting hook onto horizontal bar and pull towards you until it locks.
2. Begin on bottom row 1, Space A and work counter clockwise until each row is complete. **Please note that enclosed diagram is a suggested layout. It is not critical to install exact. Glass size will vary so sometimes installing a piece on the next row down allows glass to stand more upright.**
3. Extra glass is supplied so if there is left over do not be concerned. If you can install extra on frame do so.

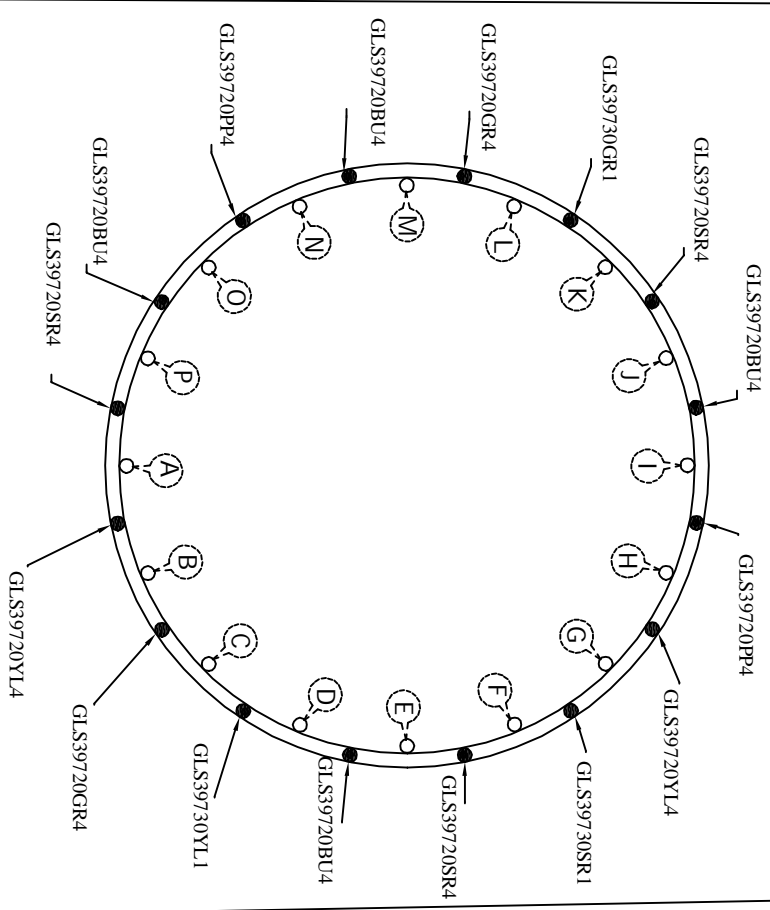




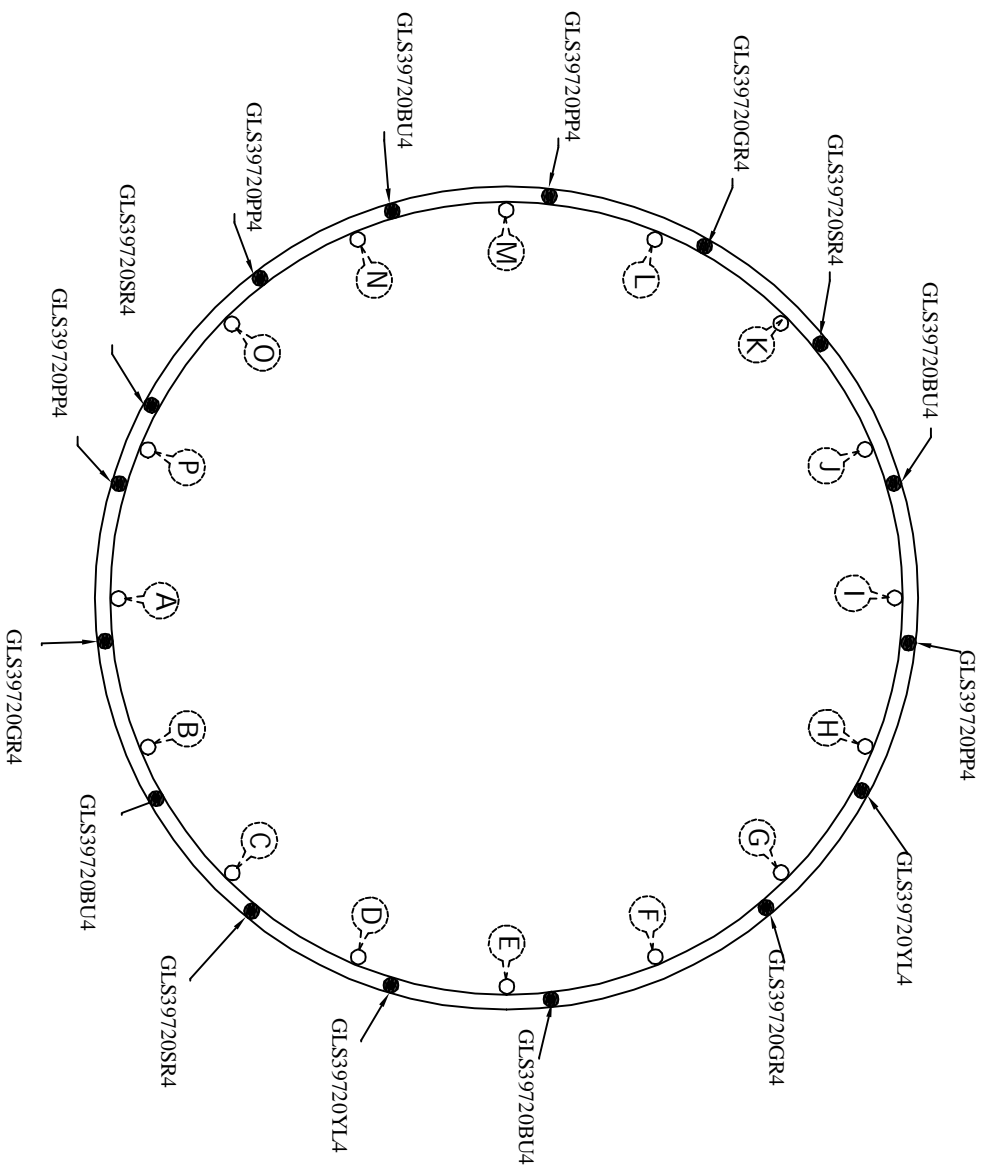
(1)



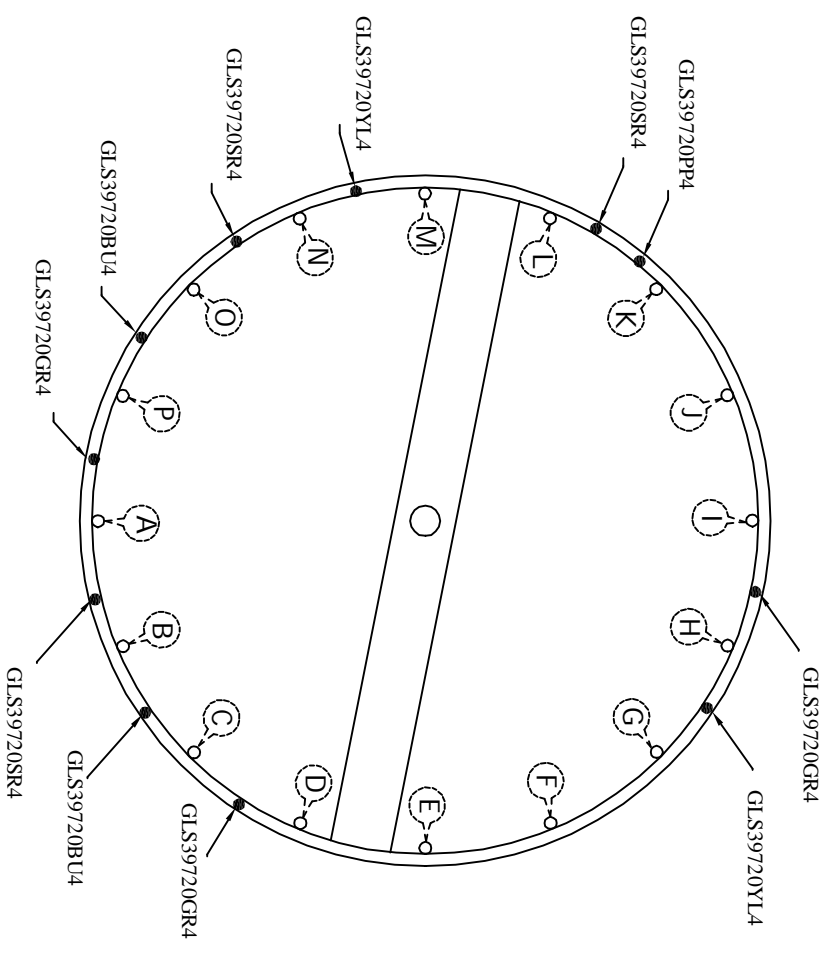
(2)



(3)



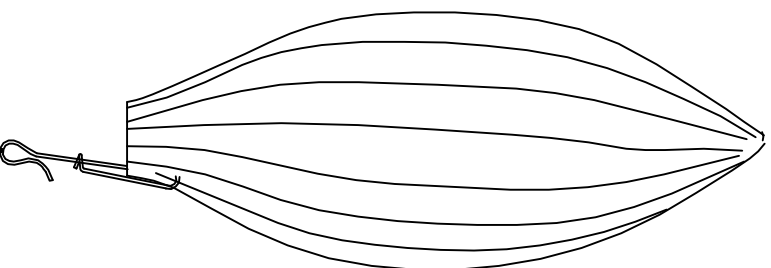
(4)



(5)

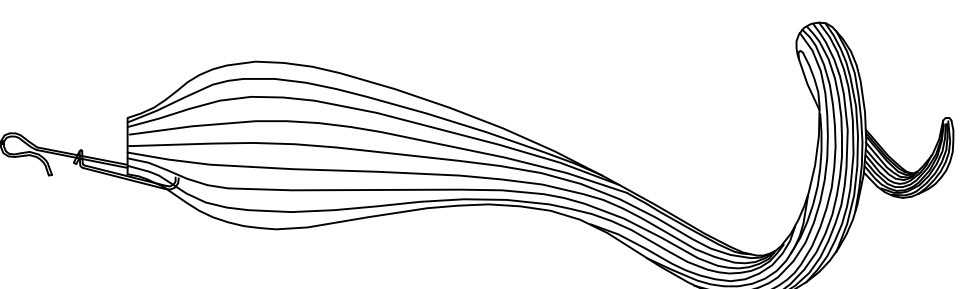
PP=Purple Finish
SR=Red Finish
YL=Yellow Finish

BU=Blue Finish
GR=Green Finish



GLS39730PP1
GLS39730BU1
GLS39730SR1
GLS39730GR1
GLS39730YL1

Glass size: 3.35"W*8.27"H



GLS39720PP4
GLS39720BU4
GLS39720SR4
GLS39720GR4
GLS39720YL4

Glass size: 2.37"W* 10.63"H