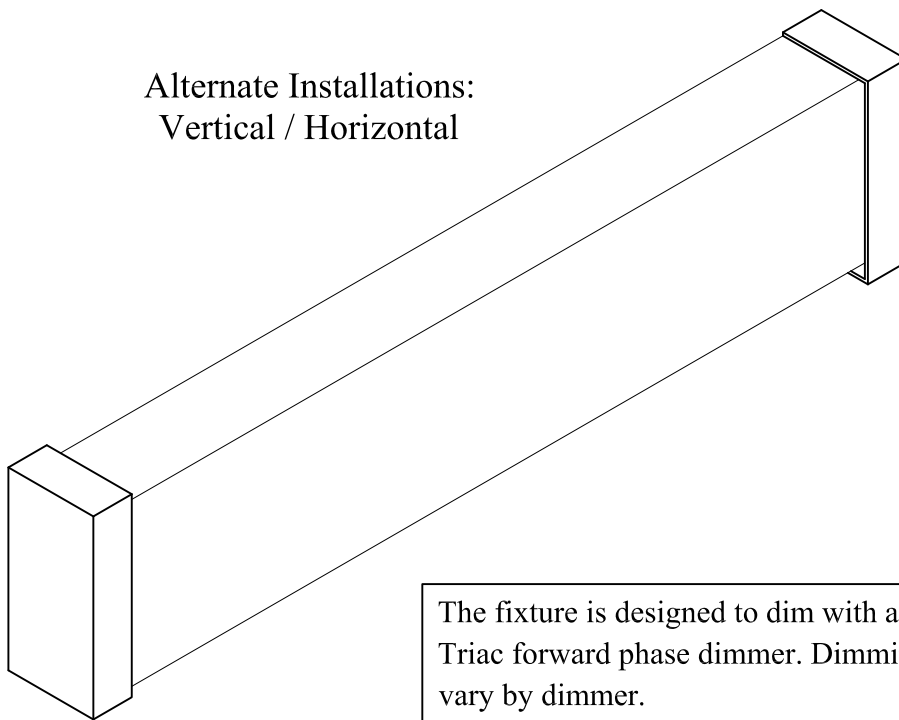




PRODUCT NAME: Vista 1-Light Bath Vanity  
ITEM NUMBER: 39630CLPC/39632CLPC/39634CLPC

Please consult your electrician for hanging fixture and wiring.

Alternate Installations:  
Vertical / Horizontal



The fixture is designed to dim with a standard Triac forward phase dimmer. Dimming levels will vary by dimmer.

Below is a list of recommended dimmers:

Lutron MACL-153M

Lutron DVL-153P

Lutron SCL-153P

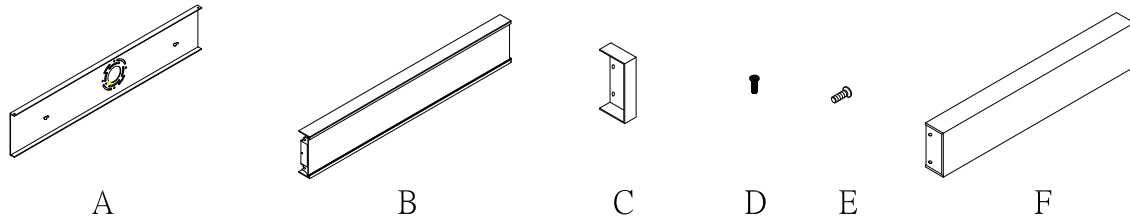
Leviton IPL06-10Z

Leviton 6674-POW

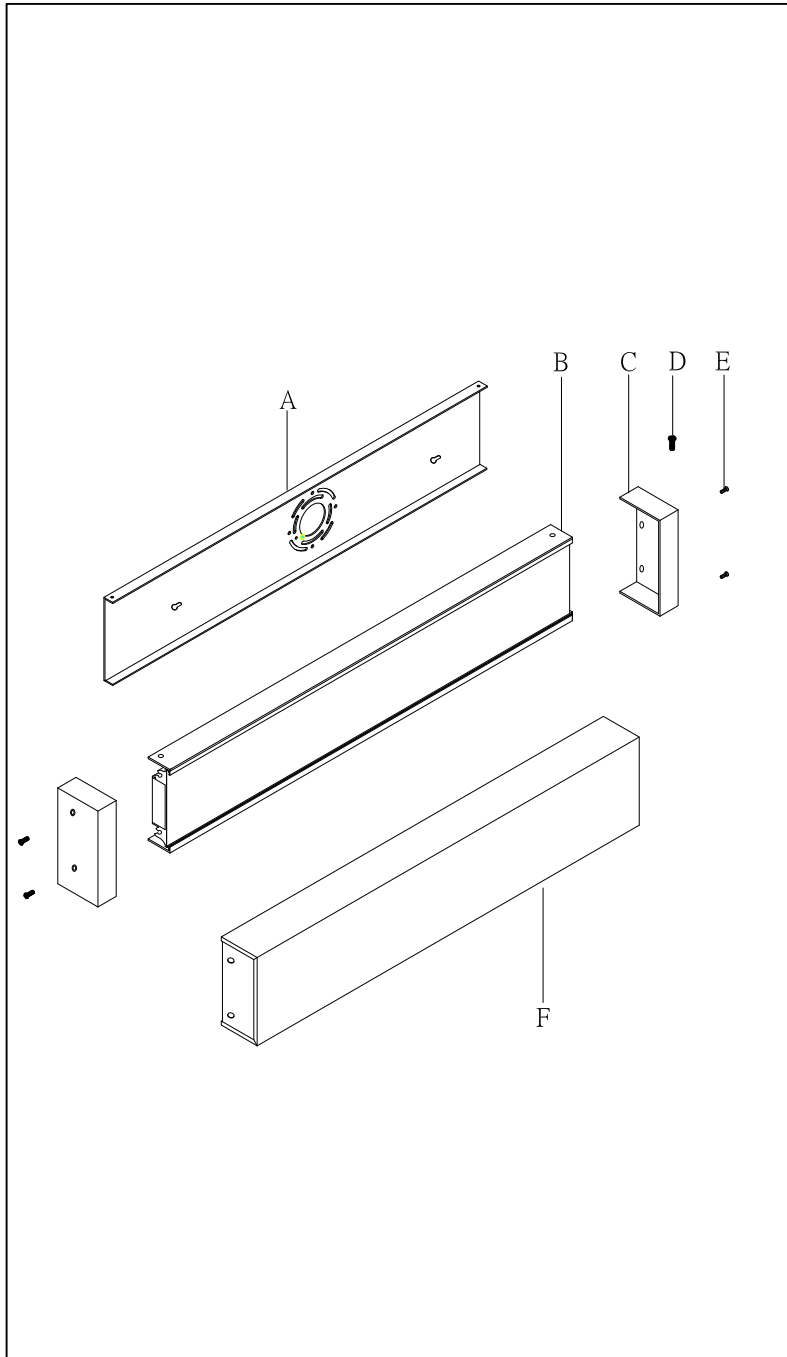
Due to inrush current, wattage should not exceed 150 Watts of product for a 600 Watt dimmer.

Bulb (integrated): 12W/32W/40W LED

IMPORTANT: Turn off the power at the main fuse or circuit breaker box before starting installation

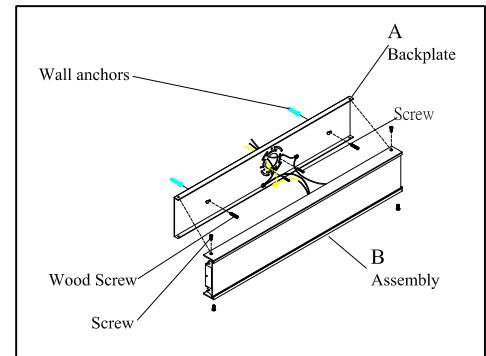


Locate all hardware & components before discarding packaging



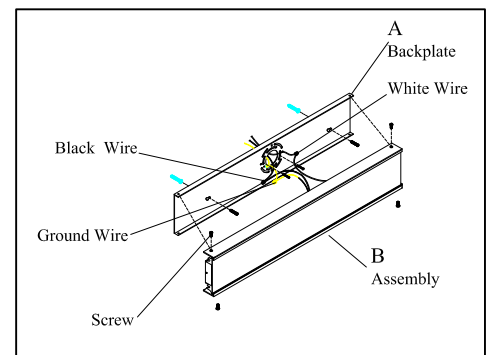
**Cleaning & Care:**

Clean with soft cloth and a mild detergent.  
Do not use abrasive cleaner.



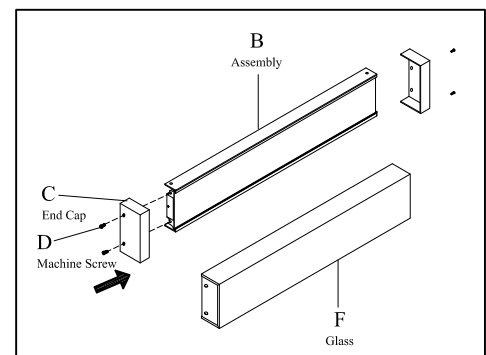
1.)

Step.1: Remove backplate (A) from fixture (B) and install to electrical box. Mark where anchors meet the wall. Drill holes using 3/16" ± drill bit where marked. Install backplate (A) to outlet box and attach anchors to secure bracket at ends.



2.)

Step.2: Wire fixture to wires in outlet box. Copper wire is for Ground. Attach LED assembly (B) to the backplate (A) using screws (D) provided.



3.)

Step.3: Use end caps (C) to install glass (F) to the assembly (B) and secure with machine screws (D) provided.