



Installation Instructions

Model 32464FTTXB

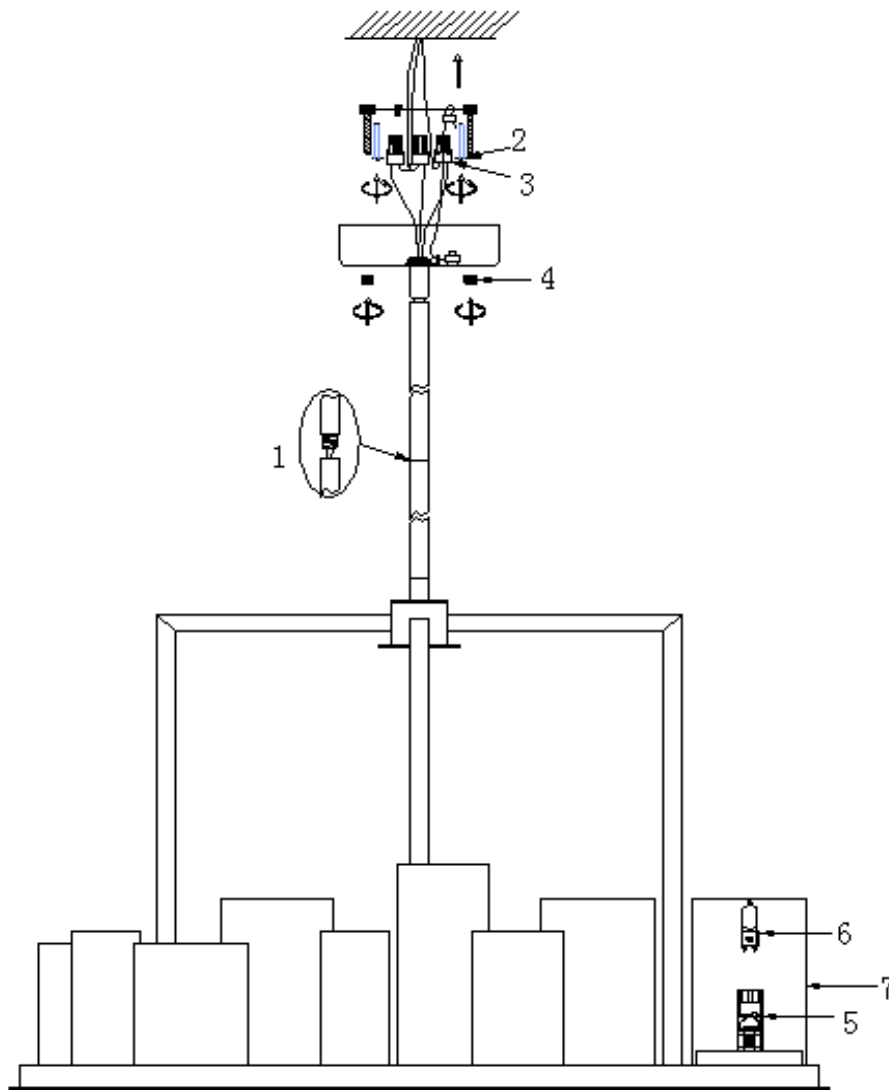
1. Turn breaker off for circuit on outlet where fixture is to be installed.
2. Remove mounting bracket from fixture and install to electrical box.
3. Run wire through stems and combine stem lengths to meet desired mounting height.
4. Wire fixture to wires in outlet box. Green wire is for Ground.
5. Install fixture to bracket and tighten screws at the ends of the canopy to secure.
6. Install maximum 25 Watt G9 Xenon bulbs.
7. Install glass on fixture per diagram.

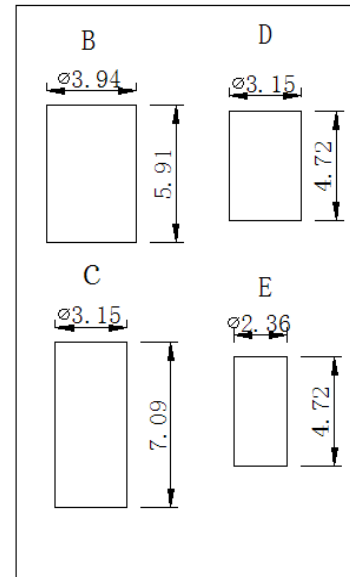
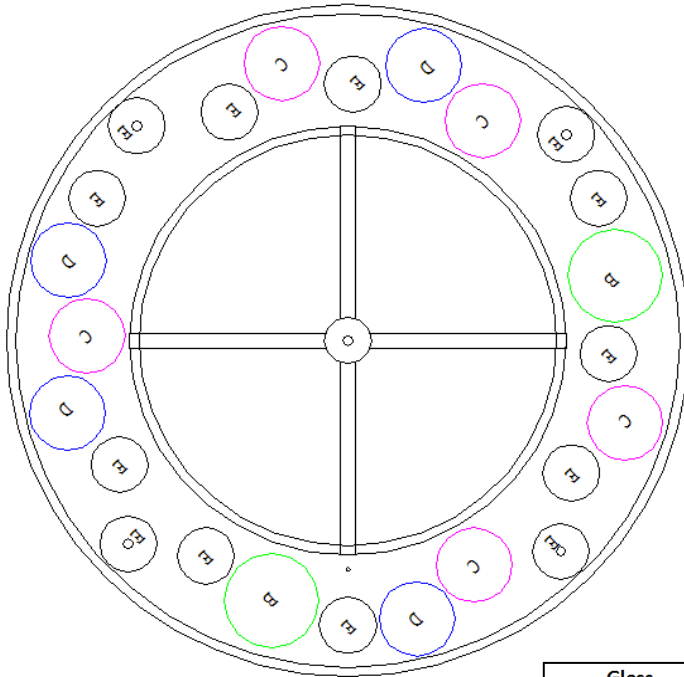
Xenon bulbs get very hot and may burn you. Always make sure bulbs are off for a minimum of 10 minutes before handling.

This fixture is designed to dim with a standard Triac forward phase dimmer. Dimming levels will vary by dimmer. Below is a list of recommended dimmers:

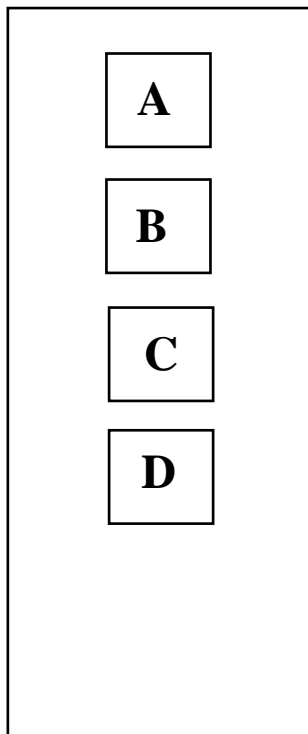
- Lutron DELV-153P
- Lutron SCL-153P
- Leviton IPL06-10Z
- Leviton 6674-POW

Due to the inrush current wattage should not exceed 150 watts of product for a 600 watt dimmer.





Glass	Replacement Glass No.	Spec	Qty
B	GLS32464FTD	3.94 x H5.91	2
C	GLS32464FTC	3.15 x H7.09	5
D	GLS32464FTB	3.15 x H4.72	4
E	GLS32464FTA	2.36 x H4.72	13



Remote Instructions

1. Consecutively:

A = Half of the lights ON

B = All the lights ON

C = Down lights ON (everything is now on)

D = OFF

2. From Off, each individually:

A = Half of lights ON

B = Other half of lights ON

C = Down lights ON by themselves

D = Everything ON/OFF