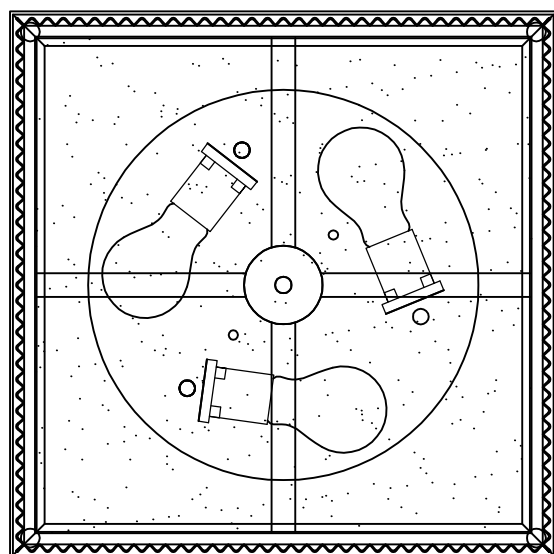
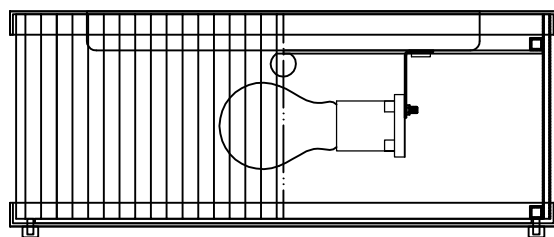




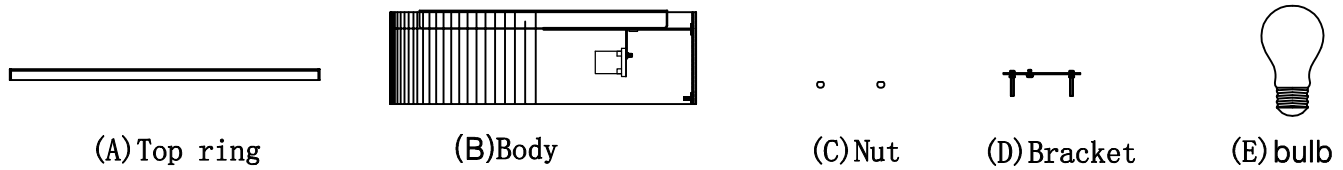
**PRODUCT NAME:** Ruffle 3LT Ceiling Mount  
**ITEM NUMBER:** 26010

**Please consult your electrician for Hang fixture and wiring.**

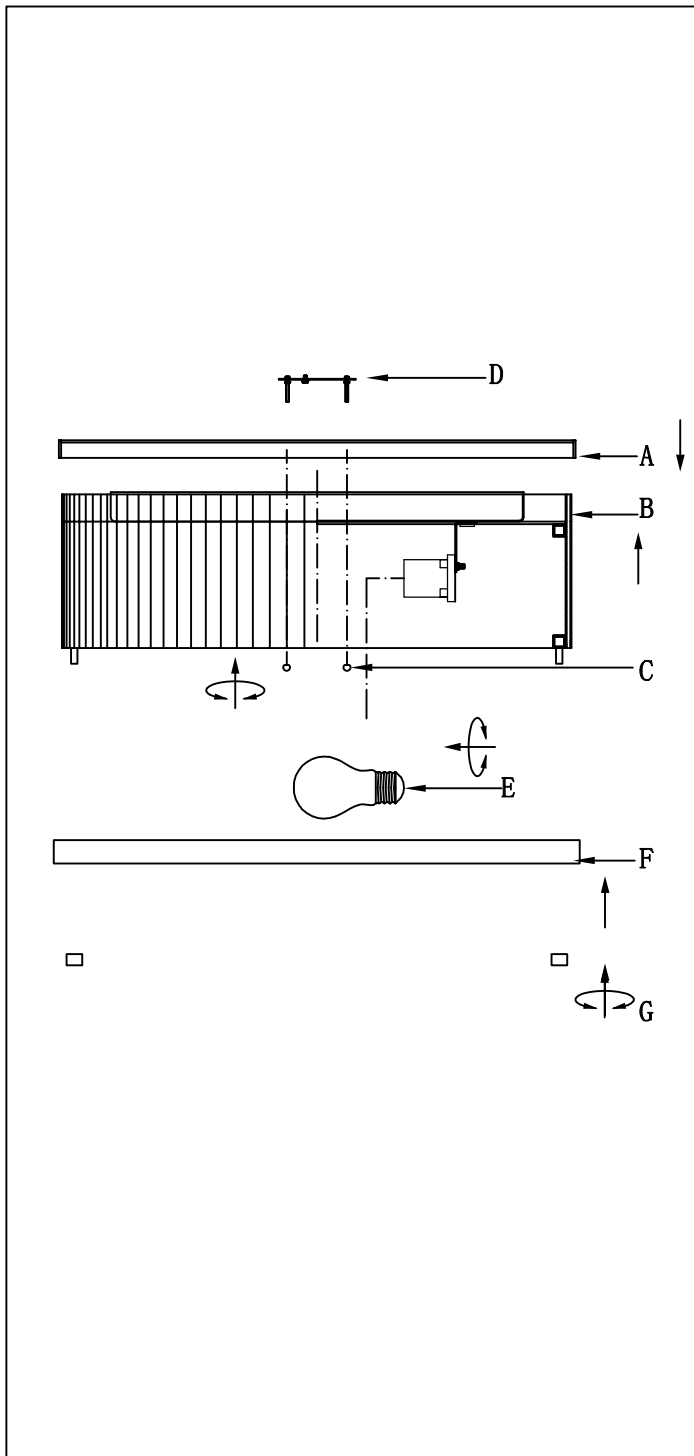


**Bulb(not included) :3\*MB 60W**

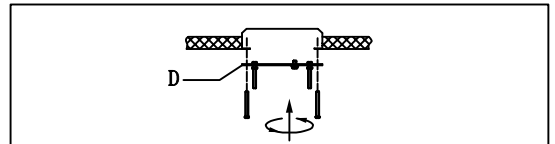
**IMPORTANT:** Turn off power at the main fuse or circuit breaker box before starting installation



**Locate all hardware & components before discarding packaging**

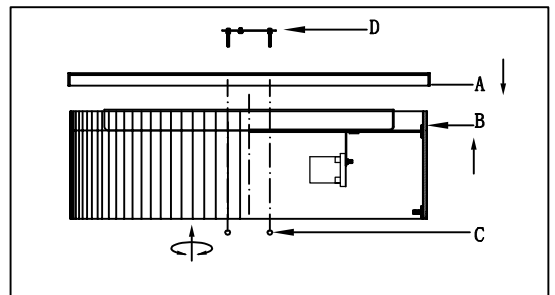


1.)



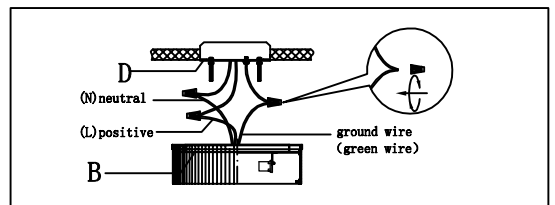
**Step. 1:** Remove mounting bracket (D) from fixture and install to electrical box.

2.)



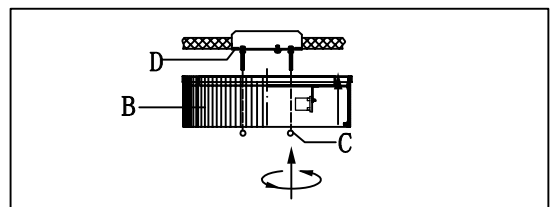
**Step. 2:** Fix the Top Ring (A) to the lamp body (B) before installing.

3.)



**Step. 3:** Wire fixture to wires in outlet box. Copper/Green wire is for Ground.

4.)

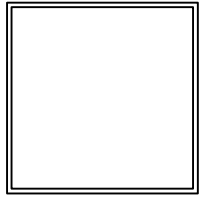


**Step. 4:** Install fixture to bracket and tighten ball nuts (C) on the canopy to secure.

**Cleaning & Care:**

Clean with soft cloth and a mild detergent. Do not use abrasive cleaner.

**IMPORTANT:** Turn off power at the main fuse or circuit breaker box before starting installation

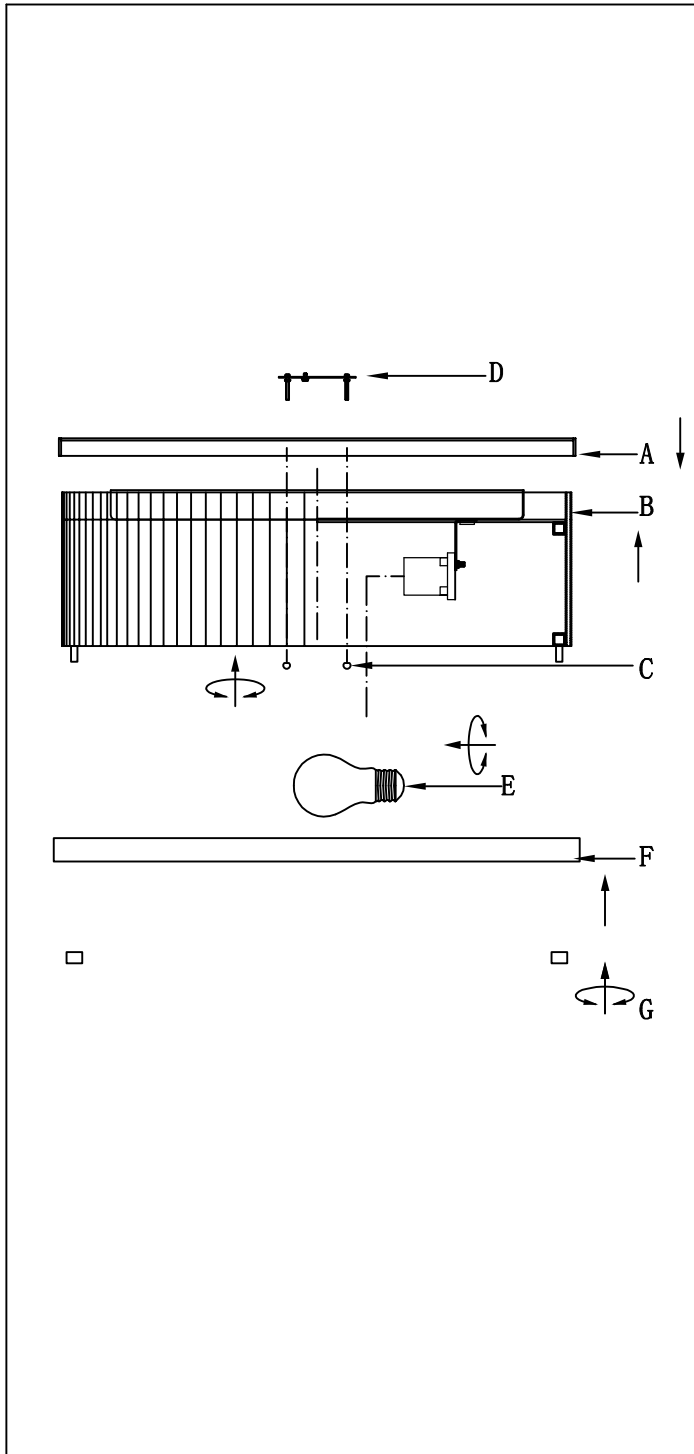


(F) Bottom ring

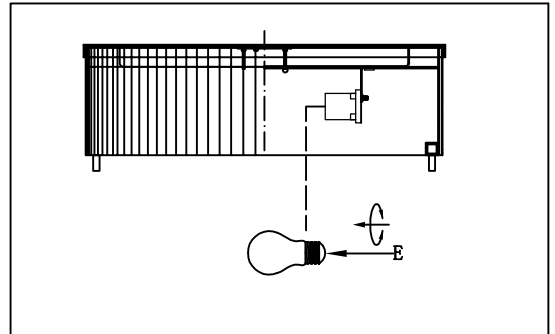


(G) Nut

**Locate all hardware & components before discarding packaging**

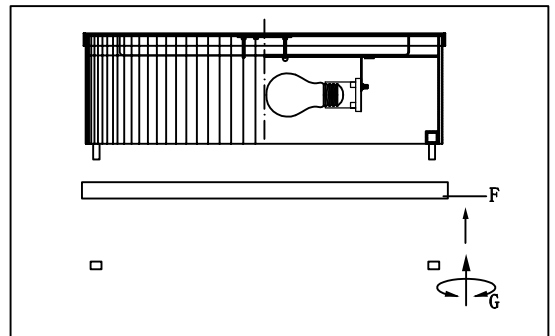


5.)



**Step. 5:** Install the bulb(E)

6.)



**Step. 6:** Install the bottom ring(F) on the body (B) and lock screw(G).

**Cleaning & Care:**

Clean with soft cloth and a mild detergent.  
Do not use abrasive cleaner.