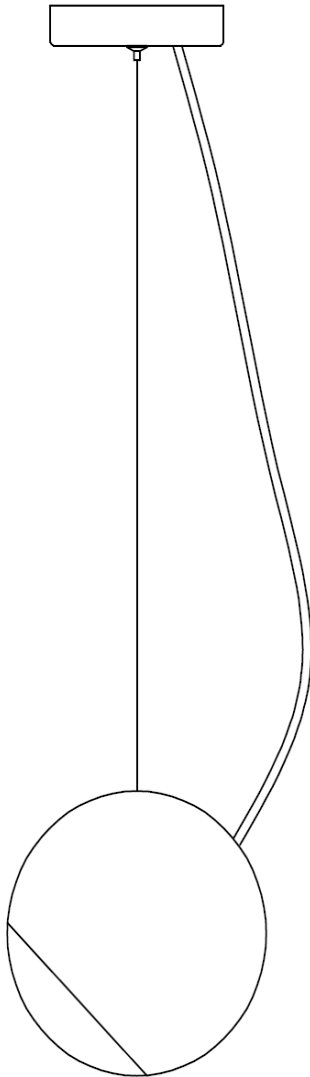




PRODUCT NAME: Crete  
ITEM NUMBER: 12393GYPC

Please consult your electrician for hanging fixture and wiring.



The fixture is designed to dim with a standard Triac forward phase dimmer. Dimming levels will vary by dimmer.

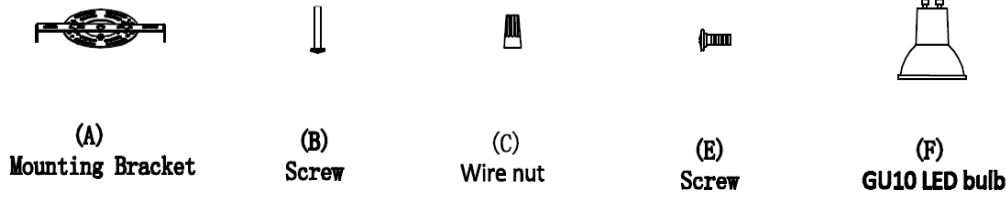
Below is a list of recommended dimmers:

- Lutron MACL-153M
- Lutron DVL-153P
- Lutron SCL-153P
- Leviton IPL06-10Z
- Leviton 6674-POW

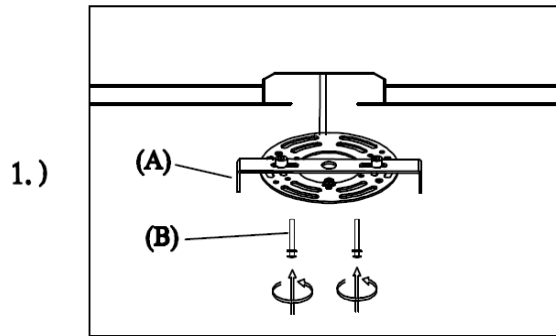
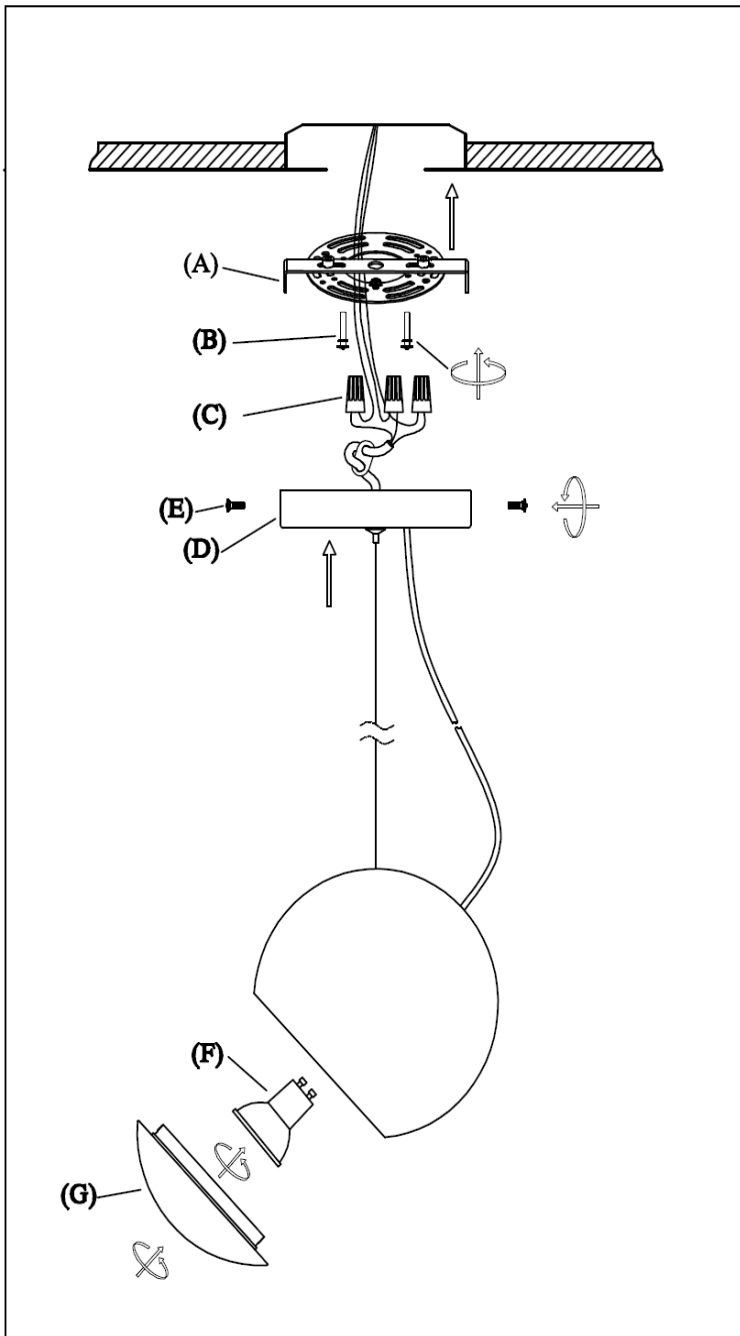
Due to the inrush current wattage should not exceed 150 watts of product for a 600 watt dimmer.

1 x GU10 LED Max. 4W

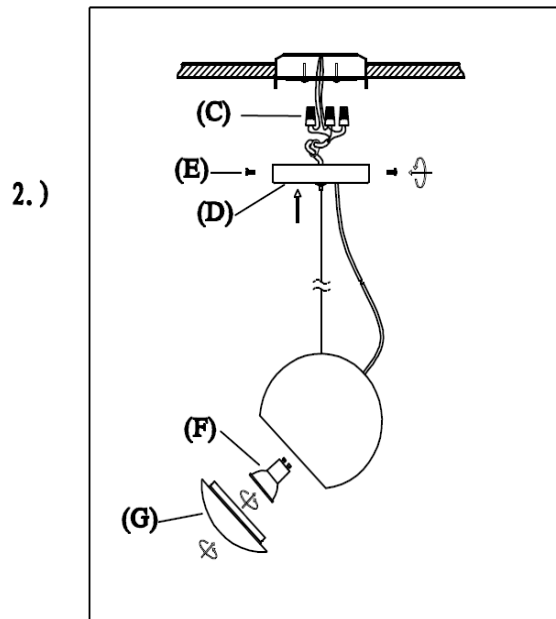
**IMPORTANT: Turn OFF the power at the main fuse or circuit breaker box before starting installation**



**Locate all hardware & components before discarding packaging**



**Step.1: 1: Remove mounting bracket (A) from fixture and install to electrical box using screws (B).**



**Step.2: Adjust wire length to desired mounting height, and tighten strain relief screws to secure. Wire fixture to wires in outlet box. Green wire is for Ground. Install fixture to bracket and tighten screws (E) at the ends of the canopy (D) to secure. Install LED GU10 bulb (F) and attach diffuser (G) to concrete shade. Direct shade using spring coil cable.**

**Cleaning & Care:**

**Clean with soft cloth and a mild detergent.  
Do not use abrasive cleaner.**