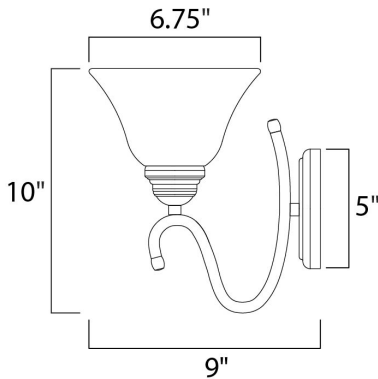




PRODUCT DESCRIPTION

Maxim Lighting's commitment to both the residential lighting and the home building industries will assure you a product line focused on your basic lighting needs. With the Newport collection you will find quality lighting that is well designed, well priced and readily available.



MEASUREMENTS

DIMENSION : 6.75" W x 10." H x 9." Ext
 MAX OAH : 5." W x 5." H
 HANGING WEIGHT : 2.2 lb

LAMPING

INPUT VOLTAGE : 120V
 LUMENS : 1,150 Rated (0 Del.)
 BULB : 1 x 60W (NOT INCLUDED), 60W Total
 DIMMABLE : Dimmable

FINISHES OPTION

Satin Nickel SN



GLASS

Marble MR

MATERIAL

Steel

RATINGS

Damp Location
 Dimmable



ADDITIONAL

INSTALL UP/DOWN: Up/Dn
 RATED LIFE 2500 Hours
 OPERATING TEMPERATURE:
 -20°C (-4°F), 40°C (104°F)

Always consult a qualified electrician before installing any lighting product.